

**UPS835L**

**SURFACE MOUNT  
 POWERMITE® 3 Surface Mount Power Package**

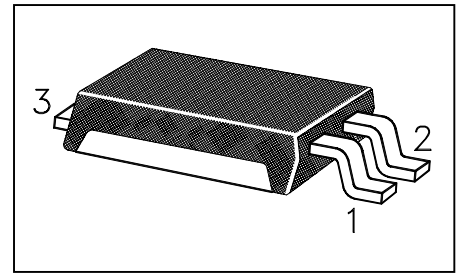
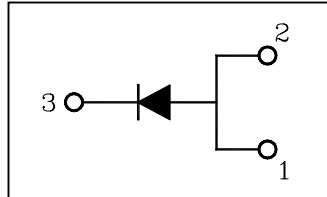
**SCHOTTKY BARRIER  
 RECTIFIER  
 8 AMP 35 VOLT**

Features

- Low Profile – Maximum height of 1.1 mm
- Footprint Area of 16.51 mm
- Low  $V_F$  Provides Higher Efficiency
- Supplied in 16mm Tape and Reel – 6000 units/reel
- Low Thermal Resistance with Direct Thermal Path of Die on Exposed Cathode Heat Sink

Mechanical Characteristics

- Case: Molded Epoxy
- Meets UL94VO at 1/8 inch
- Weight: 72 milligrams (approximate)
- Device Marking UPS835L
- Lead and Mounting Surface Temperature for Soldering = 260°C Maximum for 10 Seconds



Maximum Ratings

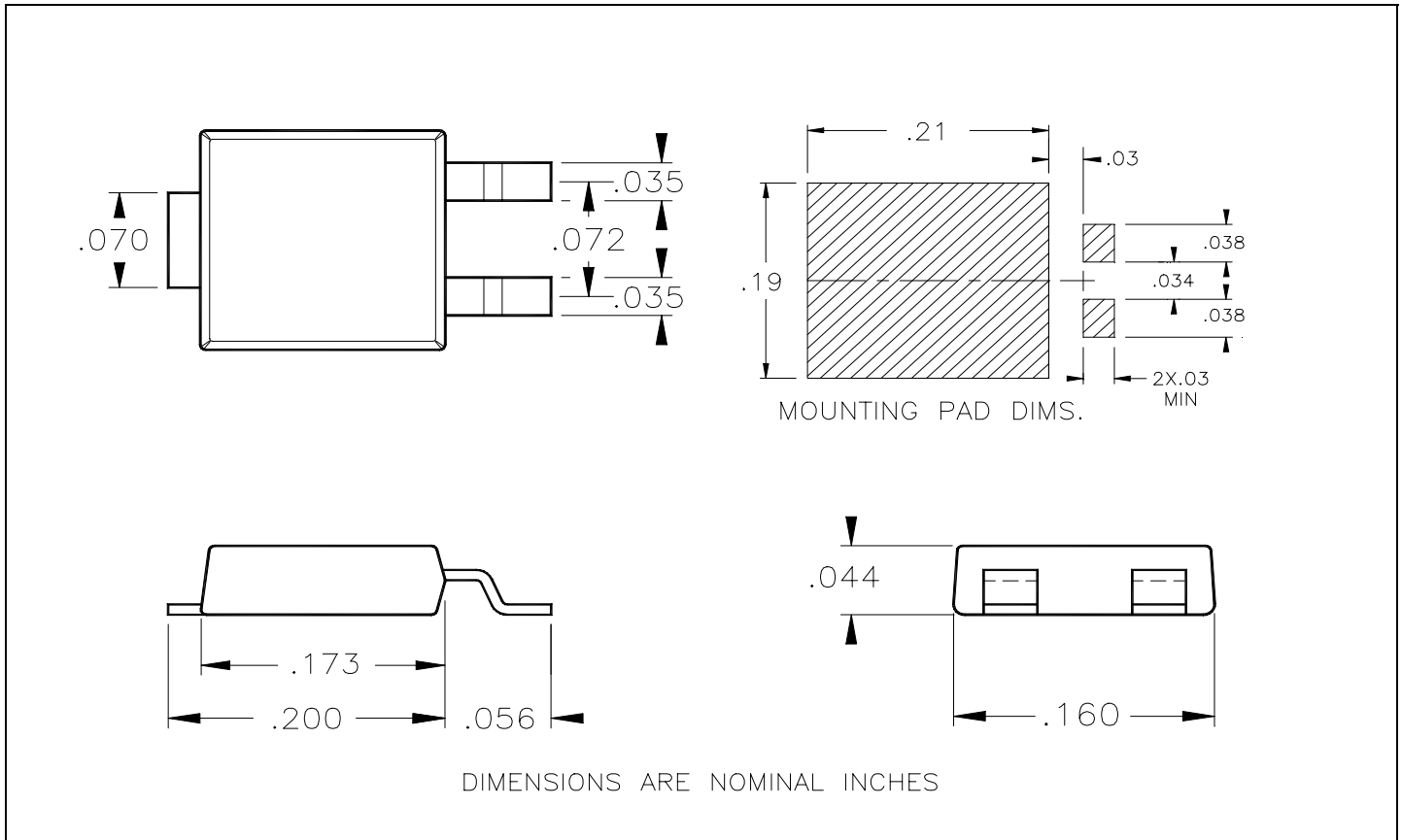
RATING	(Conditions)	SYMBOL	VALUE	UNIT
Peak Repetitive Reverse Voltage		$V_{RRM}$	35	V
Working Peak Reverse Voltage		$V_{RWM}$	35	V
DC Blocking Voltage		$V_R$	35	V
Average Rectified Forward Current	(@ Rated $V_R$ and $T_C = 100^\circ\text{C}$ )	$I_O$	8	A
Repetitive Peak Surge Current	(Non-Repetitive peak surge current @ $I_b = 8$ Amps )	$I_{FSM}$	100	A
Storage Temperature Range		$T_{stg}, T_C$	- 55 to 150	°C
Operating Temperature Range		$T_J$	- 55 to 125	°C
Voltage Rate of Change	(@ Rated $V_R$ and $T_J = 25^\circ\text{C}$ )	dv/dt	1000	V/us

Thermal Characteristics

Thermal Resistance, Junction – to -- Case	$R_{tjtab}$	3	°C/W
Thermal Resistance, Junction-to-Ambient	$R_{tja}$	60	°C/W

**Electrical Characteristics**

RATING	(Conditions)	SYMBOL	VALUE	UNITS
Maximum Instantaneous Forward Voltage	( $I_F = 8$ Amps, $T_C = + 25^\circ\text{C}$ )	$V_F$	0.51	Volts
	( $I_F = 8$ Amps, $T_C = +125^\circ\text{C}$ )	$V_F$	0.41	
Maximum Instantaneous Reverse Current	(Rated Vdc, $T_C = + 25^\circ\text{C}$ )	$I_R$	1.40	mA
	(Rated Vdc, $T_C = + 125^\circ\text{C}$ )	$I_R$	35.0	


**MECHANICAL SPECIFICATIONS**